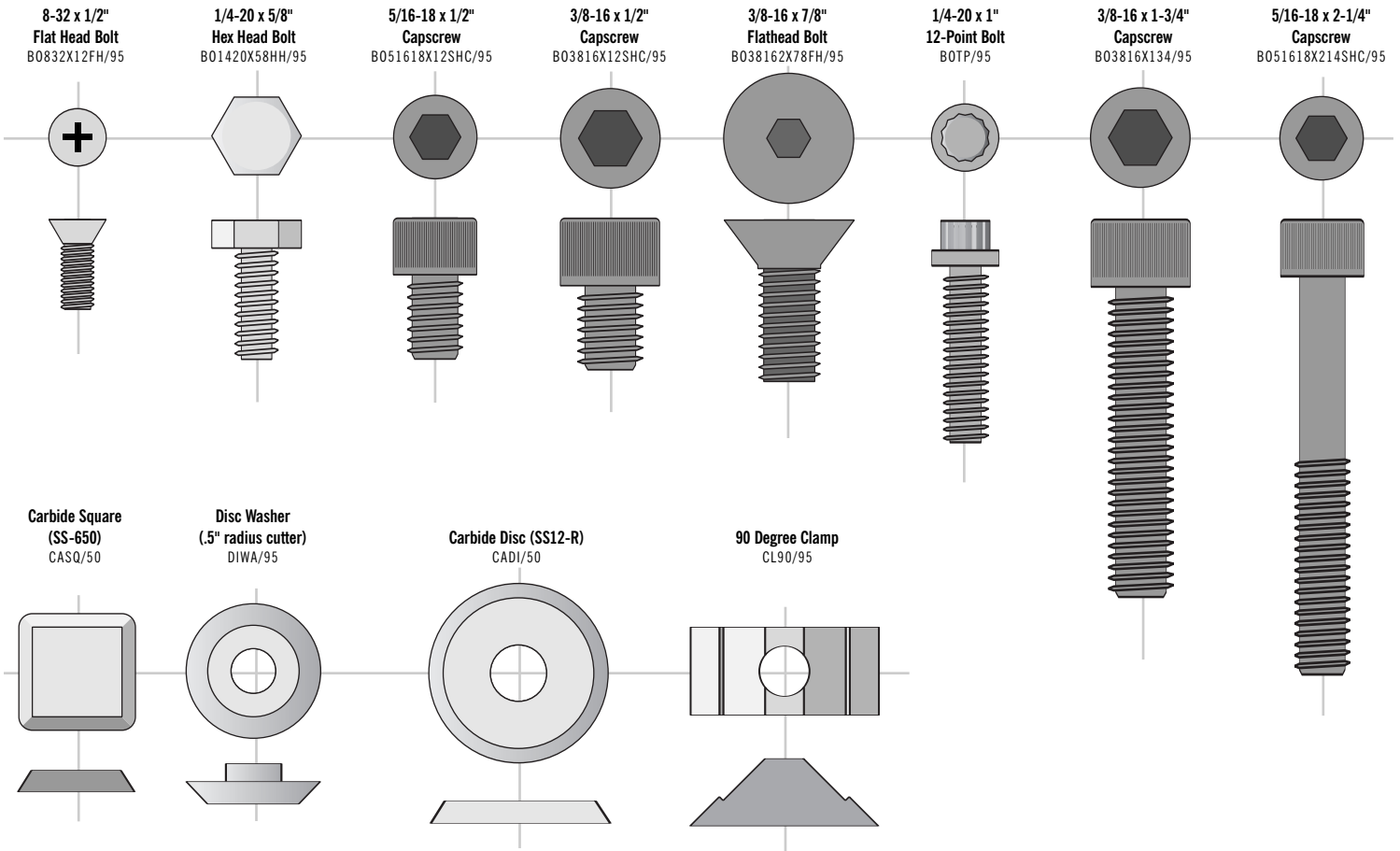


.5" Radius Notching Cutter Head PARTS

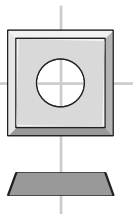


End Cutter Nest .5" radius (left hand)
ECNLH/10

End Cutter Nest .5" radius (right hand)
ECNRH/10

For Band Notchers

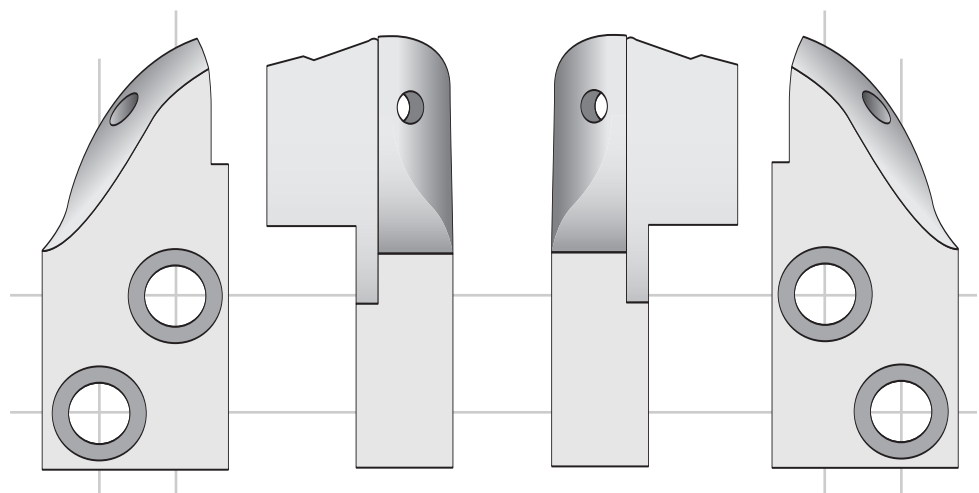
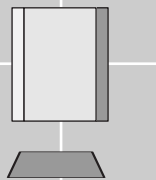
Carbide Spur
(SP-14M)
CASP/95



Also Available

non-Econotool notcher insert

2-sided Carbide Insert
(TS-500)
CATS/50



**We're ready to answer your questions about our parts!
Call 800-245-9663 to order new or replacement parts or ask us questions about our precision designed cutting tools.**



Not every part for this cutting tool is shown. These drawings are for visual comparison to existing parts only and not intended to be an exact representation of the actual part. Please call Econotool with any questions regarding any of our parts.

2971 FRANKS ROAD • HUNTINGDON VALLEY • PA • 19006
800-245-9663 • 215-947-2404 • FAX: 215-947-0529 • WWW.ECONOTOOL.COM